

Segmented Conveyor

With indexing and inspection modes

JOT Automation Segmented Conveyor is designed for transporting and buffering products in a production line.

Individually driven conveyor segments - product can be stopped for inspection.

Automatic indexing.

Manual inspection.



KEY FEATURES

Transports and buffers PCBs between process machines	Easy mechanical connection to other equipment
Safe, clean design with no visible motors or wiring	Multiple-drive technology
Sturdy structure offers reliable operation in demanding production conditions	No contact between boards during transfer

MACHINE IDENTIFICATION

Machine name and code:
 Segmented Conveyor
 CON-454 : length 500 mm (19.7")
 CON-455 : length 1000 mm (39.4")
 CON-456 : length 1500 mm (59.1")
 CON-513 : length 800 mm (31.5")

STANDARD FEATURES

- Individually driven conveyor segments
- Automatic indexing mode
- Manual inspection mode
- Track speed adjustment
- Track width adjustment method: Hand wheel
- Transport direction: From left to right
- PLC controller
- SMEMA electrical interface
- ESD-safe design
- CE-safety compliant

INSTALLATION REQUIREMENTS

- Power supply:
- 230 VAC / 50 Hz / 1 A
 - 115 VAC / 60 Hz / 2 A

CONTACT US

Please, find all the contact details from our website www.jotautomation.com or send an inquiry to info@jotautomation.com

OPTIONS

- Track width adjustment method:
- Motorized
 - Line width adjustment, line master/slave
- Track speed: 18 m/min (60 fpm)
- Transport direction: From right to left
- Safety cover

TECHNICAL CHARACTERISTICS

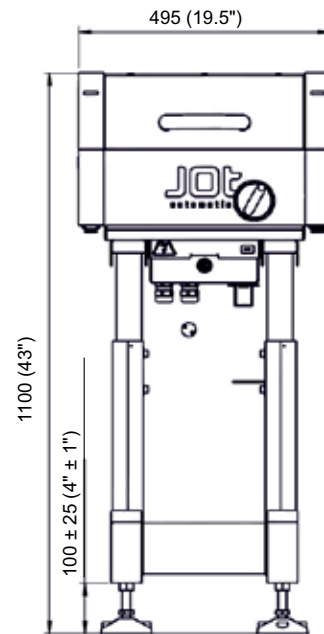
- Fixed edge: 165 mm (6.5") from front
- Conveyor belts: Flat, with 3 mm (0.12") carrying edge
- Track height : 950 mm (37.4")
- Track width W: Adjustable
- Track speed: 12 m/min (40 fpm)
- Weight:
- 500 mm (19.7") segment: 65 kg (143 lb)
 - 500 mm (19.7") extension: 40 kg (88 lb)

PRODUCT SPECIFICATIONS

- JOT Board Specification 470
- Max. board length = segment length - 50 mm (2")

DIMENSIONS

Code	Length	Number of segments
CON-454	500 mm (19.7")	1 x 500 mm (19.7")
CON-455	1000 mm (39.4")	2 x 500 mm (19.7")
CON-456	1500 mm (59.1")	3 x 500 mm (19.7")
CON-513	800 mm (31.5")	2 x 400 mm (15.7")



CON-454 dimensional drawing

